

Stream Series 2040

4 Foot Bench

Product Code: 2040-Black, 2040-Blue, 2040-Green, 2040-Red

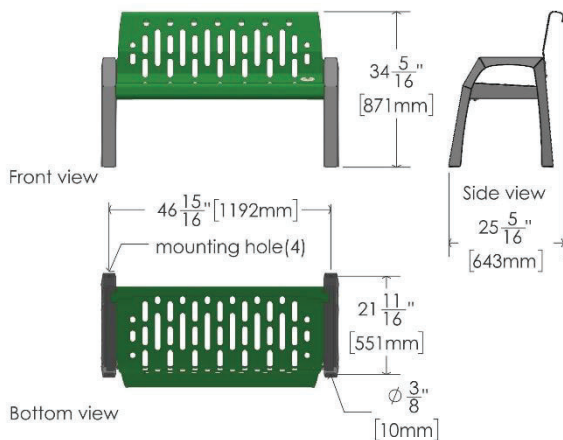
Product Name: Stream Outdoor Steel 4' Bench

Single Carton UPC: 2040-Black: 624622204013, 2040-Blue: 624622204037, 2040-Green: 624622204006, 2040-Red: 624622204020

Single Shipping Dimensions: 152.4cm L x 116.8cm W x 104.1cm H (60" L x 46" W x 41" H)

Single Shipping Weight: 52.6 kg (116 lbs)

Site Location: 2040 "Stream" series steel 4' benches are made of heavy duty steel with a unique and modern design. These are most commonly used at schools/universities, hotels, retail centers, factories, condominiums, and office buildings.



Features:

- Unique and modern architectural appearance
- Tested to survive harsh climates
- Made with heavy duty steel
- Ergonomic with lumbar support
- Doesn't get too hot in the summer or too cold in the winter
- Easy to install with anchorable feet

Characteristics: The 2040 four foot bench series comes in a variety of colours. The clean detailing and modern design make this a top choice for architects. It is made of heavy duty steel with built in arm rests which make it a durable option. Feet allow the unit to be securely anchored to the ground, reducing the chance of vandalism or theft. The benches ship completely assembled and can be stacked three high for more efficient transport.

Capacity:

- Comfortably sits two adults. The bench will support the industry standard 600 lbs load if properly anchored to the ground and can hold up to 900 lbs of static weight dispersed across the entire bench.

Materials:

- Heavy 12 gauge hot rolled steel construction
- Super Durable TGCI-Free Powder Coat paint. This type of powder coating is designed for superior weatherability compared to standard TGIC polyester powder. This type of paint is designed to meet the AAMA (American Architectural Manufacturers Association) standard 2603. It provides excellent exterior color and gloss retention, superior over bake resistance, and good chemical resistance. The paint is designed to withstand 1500 hours of salt spray testing and 1 year of outdoor exposure in extreme conditions.
- Bench arms are RAL Grey 7012
- Colours available for body: RAL Blue 5005, RAL Black 7021, RAL Green 6018, RAL Red 3001

Product Dimensions:

- 128cm W x 86.9cm H x 64.3cm D (50.4" W x 34.3" H x 25.3" D)
- Depth of seat: 45.1cm (17.75")
- Height from ground to seat: 48.3cm (19")
- Space between arm rests: 111.8cm (44")
- Mounting hole dimensions: 0.4" diameter for each of the four mounting holes in bottom of feet

Product Weight:

- 41.2 kg (91 lbs)

Installation: This bench can be free standing or mounted into the ground with anchors (not included). The anchor holes are located in the feet at the bottom of the unit. Mounting hole dimensions: 0.4" for each of the mounting holes.

Maintenance:

Normal preventative maintenance and cleaning will keep Frost products functioning properly and may extend normal product life. Products should be wiped down with a damp soft cloth periodically. Approved stainless steel cleaner may be used to clean scuffs or fingerprints on stainless surfaces. Do not use harsh detergents or chemical cleaners. For general dirt and blemishes on painted steel or plastic use warm water and mild soap, or a general mild cleaning solution. When using any type of cleaning solution, spray onto a discrete area to test before full usage. After the cleaning agent is applied, wipe off with a clean soft cloth or sponge.

Warranty:

We offer a one-year warranty from the date of shipment, covering repair or replacement, including freight costs, for any defects. Installation or removal costs are not covered. Discoloration due to environmental or chemical exposure is not considered a defect under this warranty.