

Recycling made easy

- **Durable:** available in indoor/outdoor powdered coated finish and all stainless steel
- **Flexible:** stand alone or wall mounted units, accommodate your specific needs
- **Quality:** all steel construction provides durability and fire protection
- **Ergonomic:** front loading doors for easy removal of contents



315

Wall mounted multiple streams

- Easily customized for every facility.
- Wall mounting allows for sweeping and cleaning under units.
- All fabricated metal exterior for maximum fire protection.
- Inclined top discourages use as a table or chair.
- Wall mounted fixed design eliminates the possibility of blocking exits in the event of an emergency.
- Heavy duty door with concealed hinge with positive magnetic closure.
- Comes with 2 roto moulded leak proof liners. Metal liners available on special order.
- Polyester powder coating suitable for outdoor use.



Concealed hinge allows for side by side mounting. Top view shown

316

3 Stream Standalone

- Easily customized for every facility.
- Stand alone 3 stream recycling station.
- All fabricated metal exterior for maximum fire protection.
- Inclined top discourages use as a table or chair.
- Comes with three roto moulded leak proof plastic liners.
- Anchors are included for outdoor mounting applications.
- Tumbler keyed lock with deadbolt helps control access to recycled contents.
- Polyester powder coating suitable for outdoor use.



Code 316



Code 316-S

Labeling

Includes:

- Flexible labeling system which allows for customization to suit specific separation requirements on both the code 315 and 316.
- An English and French label pack with 12 category groupings of common items (see below).
- Durable, silk screened white on clear stock.

Glass	White Paper Only	Verre	Papier blanc seulement
Plastic	Glass/Cans Plastic	Plastique	Verre / Plastique Métaux - Aluminium
Cans	Compost	Métaux - Aluminium	Composte
Trash	Trash/Compost	Déchets	Déchets / Composte
Cans/Plastic	Paper	Métaux - Aluminium / Plastique	Papier / carton
Glass/Plastic	Newspaper	Verre / Plastique	Journaux



Ease of use, Moulded liners

- Ergonomic front loading door.
- Soft “edge” radiuses on corners, no sharp or protruding components.
- Hand holds in liner allow for easy access.
- Removable, leak proof liners are included on both the code 315 and Code 316.
- Moulded liners are easily washable
- Takes a standard 26”x 36” bag.
- Each liner has a 17.7 Gallon Capacity.

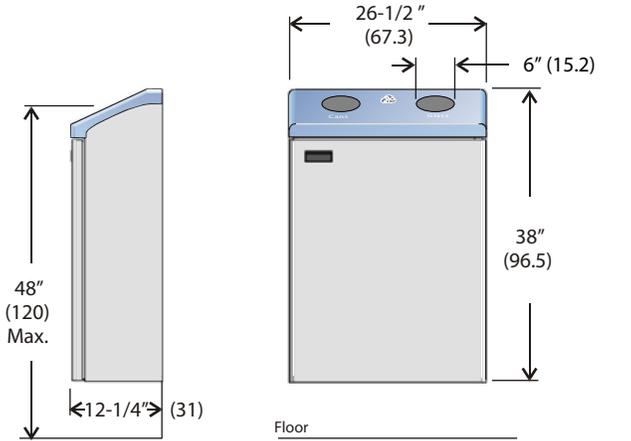


Code 315 Wall Mount

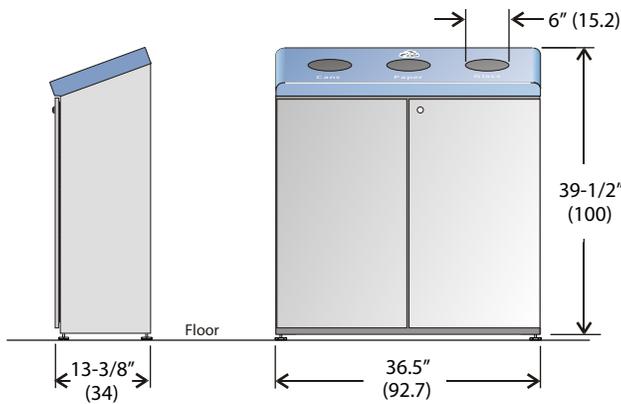


Code 316 Floor Standing

- Code 315: Modular Recycling Station, wall mounted, outdoor rated blue and grey finish. Includes two roto-moulded plastic liners and category labels in French and English.
- Code 315-500: Additional plastic liner.
- Code 315-501: English and French label pack.
- Code 316: Recycling Station, floor mount, 3 stream, indoor/outdoor powder coated finish.
- Code 316-S: Recycling Station, floor mount, 3 stream, stainless steel.
- Code 316-505H: Modular Hood, indoor/outdoor blue polyester finish.
- Code 316-505HS: Modular Hood, stainless steel, 18 ga.



315 wall mounted units can be placed side by side as required.



315 Wall Mounted Unit

316 Floor mounted



316-S Floor mounted

316-S with Hood

Specifications

- Site location:**
 - The 315 wall mounted fixed design eliminates the possibility of blocking exits in the event of an emergency. The 316 allows for flexible mounting locations in areas requiring three streams.
- Features:**
 - Anchors are included to secure the Code 316 in both indoor and outdoor installations. Adjustable feet on code 316 allow for easy leveling. Flexible labeling kit accommodates specific separation requirements. Ergonomic front loading door reduces risk of back injury. Inclined top discourages use as a table or chair. All exterior components are fabricated metal for maximum fire protection. Leak proof roto moulded polyethylene liners. Optional metal liners available on special order (Code 315-500G). Full length piano hinge on doors. Magnetic latch on 315 door, keyed tumbler lock on Code 316.
- Labels Included:**
 - Comes with Glass, Plastic, Cans, Trash, Cans/Plastic, Glass/Plastic, White Paper Only, Glass/Cans/Plastic, Paper, Trash/Organic and Organic labels in both English and French. Assists commercial and institutional organizations with source separation programs.
- Capacity:**
 - Each liner has a 17.7 gallon capacity.
- Shipping Weight:**
 - 315: 50 lbs (23 kg), 316: 75 lbs (35 kg).

