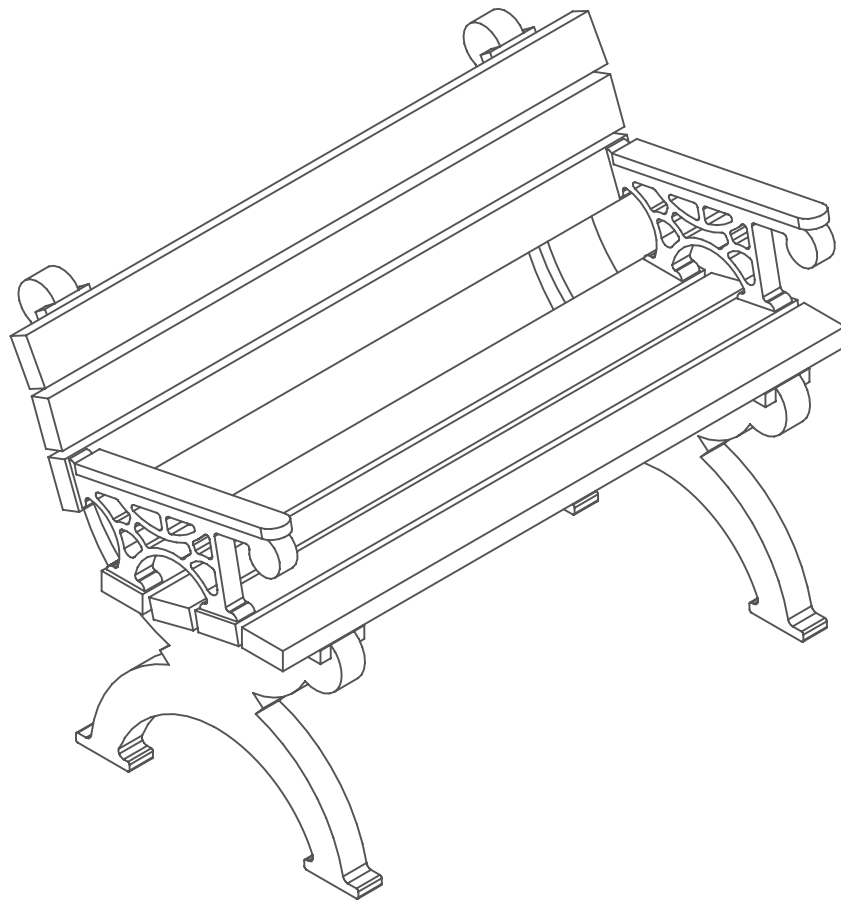


# 4 Foot Monarque Bench with Arms

For Fastener Pack  
(FP-MB4BA-CU-01)



Congratulations !!

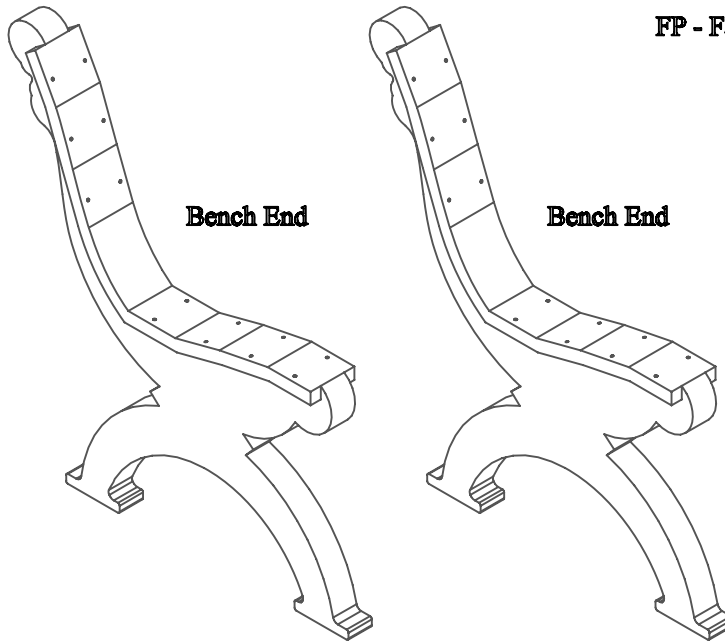
You have just purchased the finest recycled plastic  
park bench available. Enjoy !!!

Before assembly, please make sure all components are included.



( 1 ) - One Fastener Pack  
FP-MB4BA-CU-01

FP - Fastener Pack



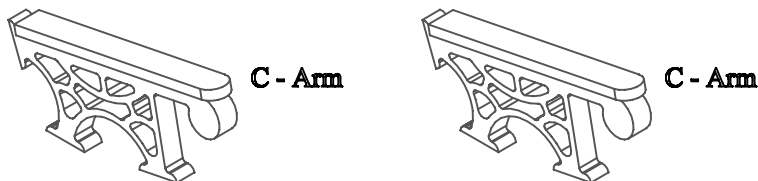
( 2 ) - Two Bench Ends  
PS-MBBE-A-01

◦ . .	D - Bench Board w/ Arm Hole	. . ◦
◦ . .	D - Bench Board w/ Arm Hole	. . ◦
◦ . .	D - Bench Board w/ Arm Hole	. . ◦

( 3 ) - Three Bench Boards w/ Arm Holes  
BP-MB4BA-A-01

. .	A - Bench Board	. .
. .	A - Bench Board	. .
. .	A - Bench Board	. .
. .	A - Bench Board	. .

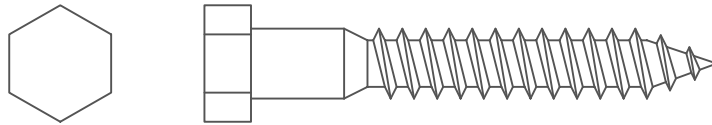
( 4 ) - Four Bench Boards  
BP-MB4B-A-01



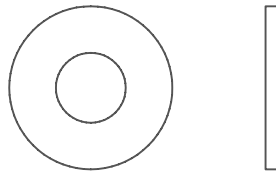
( 2 ) - Two Arms  
BSA-MQA-A-01

Before assembly, please make sure all fasteners are included.

6 - 3/8" x 2 1/2" Hex Head Lag Bolt



6 - 3/8" Flat Washer



28 - #12 x 2" Pan Head Phillips Screw



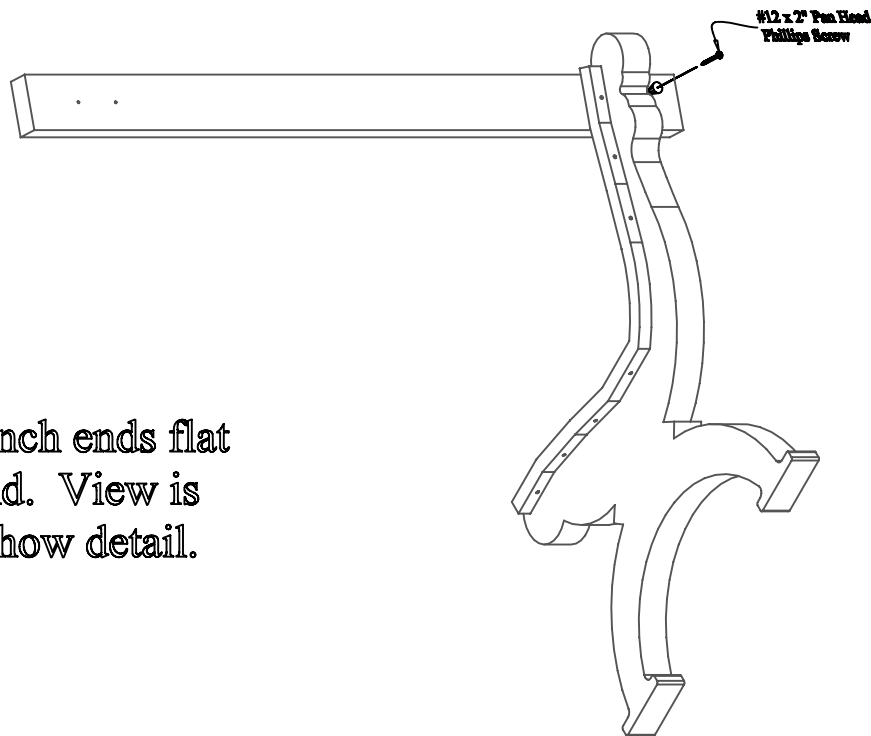
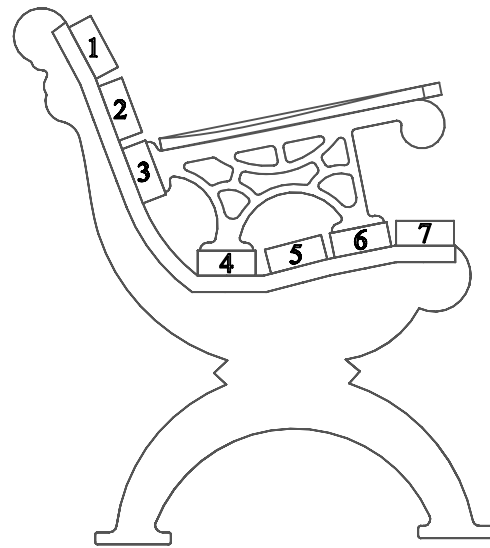
Also needed for this assembly will be the following materials:

1 - 9/16" Socket Wrench

1 - #3 Phillips Drive Bit

**Fig #1:**

In order to make the assembly of this Monarque Bench with Arms easier while going through the assembly process the board positions are numbered and will be referenced in later steps.



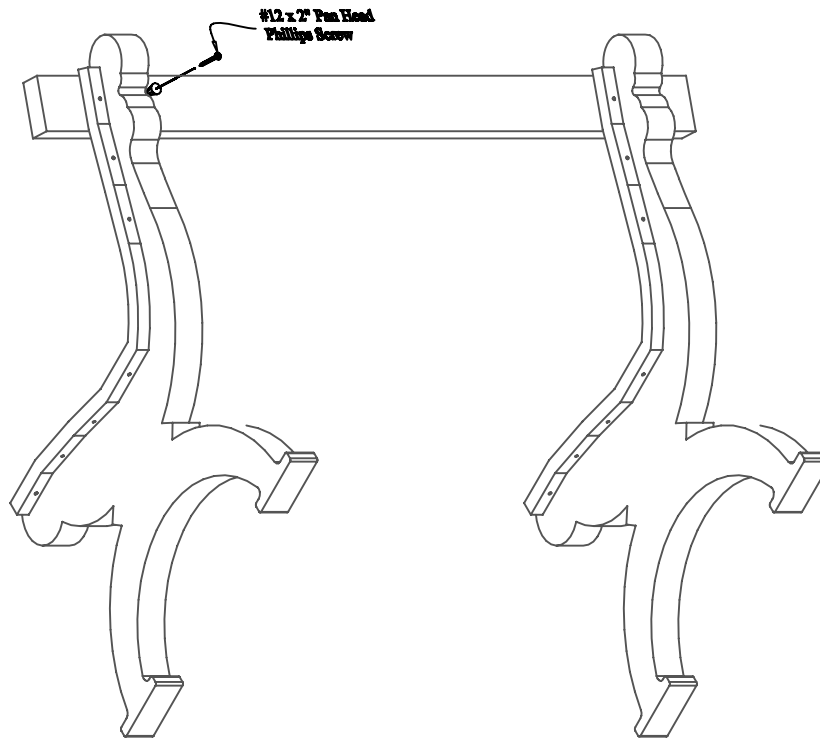
**Note:**

Stand bench ends flat on ground. View is only to show detail.

**Step #1:**

Stand (1) One bench end upright and place (1) One bench board (A) on position 1 being sure to align the pilot holes to the pre-drilled holes in the bench end. After the holes are properly aligned, fasten with (1) One #12 x 2" Pan Head Phillips Screw in the pre-drilled hole on the right side of the bench end.

Note: Do not tighten screw completely. This will be done in a later step.



### Step #2:

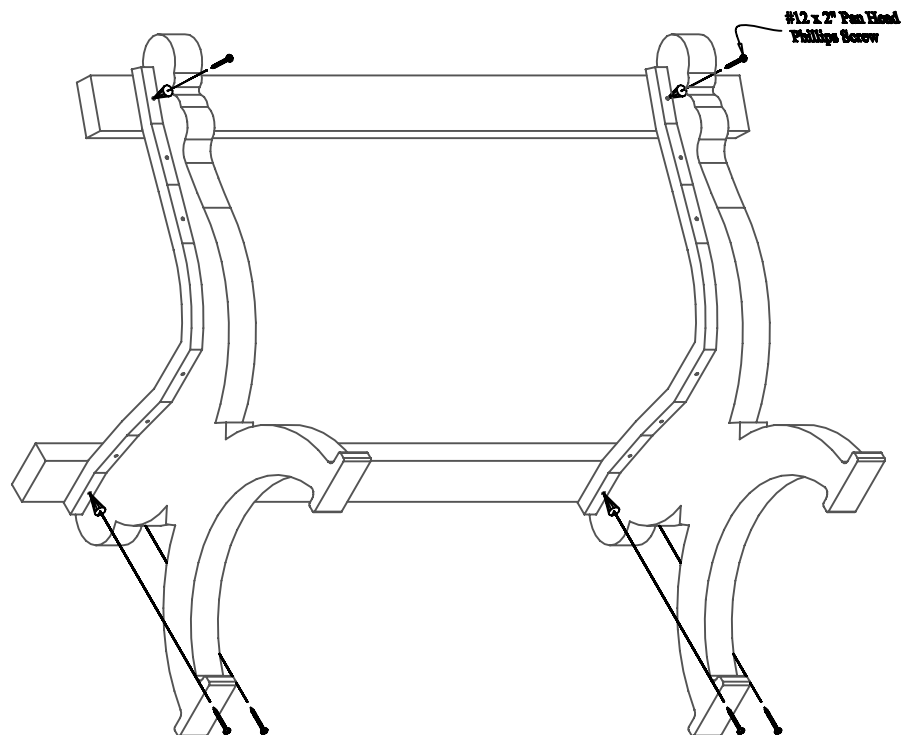
Stand the other bench end upright, and place the bench board already attached to the first bench end, on position 1 being sure to align the pilot holes with the pre-drilled holes in the bench end. After the holes are properly aligned, fasten with (1) One #12 x 2" Pan Head Phillips Screw in the pre-drilled hole on the right side of the bench end.

Note: Do not tighten screws completely. This will be done in a later step.

### Step #3:

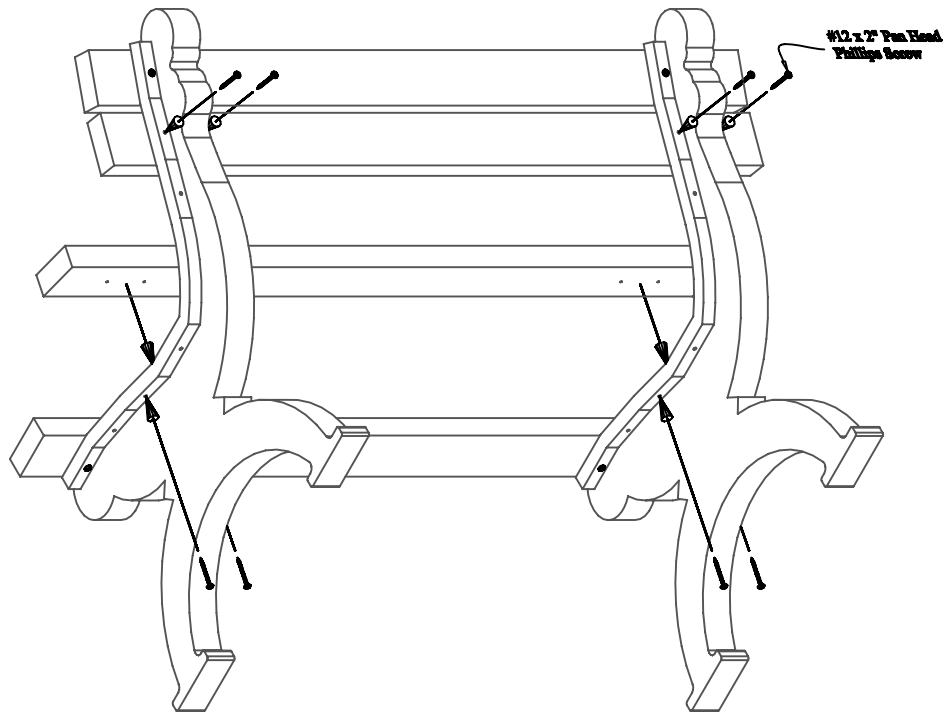
Align the pilot holes on the bench board to the pre-drilled holes on the left side of the bench ends. After the holes are properly aligned, fasten with (1) One #12 x 2" Pan Head Phillips Screw per bench end.

Note: Be sure to tighten screws completely after this step.



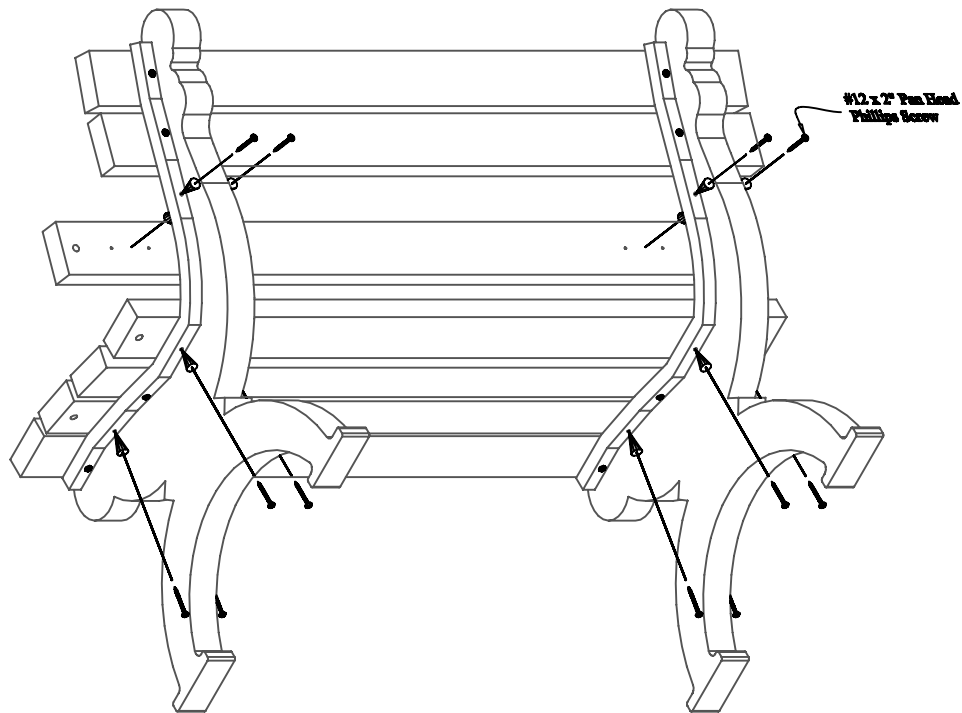
### Step #4:

Place a second bench board (A) on position 7. Repeat Steps 1 - 3 to attach. Use (1) One #12 x 2" Pan Head Phillips Screw per hole to fasten.



**Step #5:**

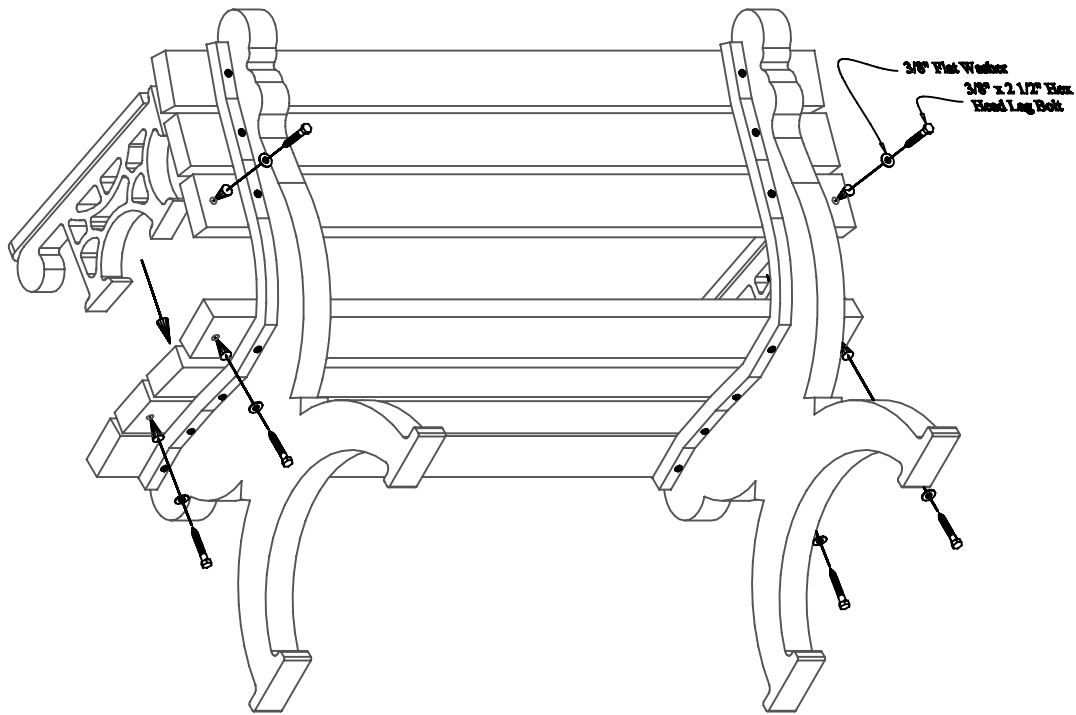
Repeat Steps 1 - 3 to attach bench boards (A) on positions 2 & 5. Use (1) One #12 x 2" Pan Head Phillips Screw per hole to fasten.



**Step #6:**

Repeat Steps 1 - 3 to attach bench boards with arm holes (B) on positions 3, 4 & 6. Use (1) One #12 x 2" Pan Head Phillips Screw per hole to fasten.





### Step #7:

Place the arms on the bench boards fastened to positions 3, 4 & 6. Align the pre-drilled holes on the bench boards with the pilot holes in the arms. After the holes are properly aligned, fasten with (3) Three 3/8" Flat Washers along with (3) Three 3/8" x 2 1/2" Hex Head Lag Bolts.