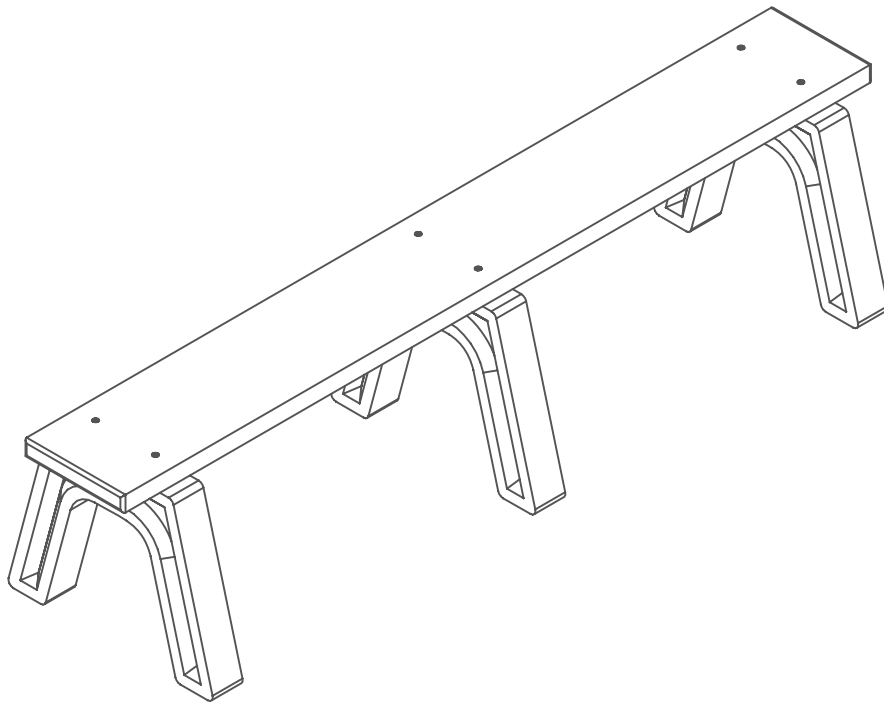


6 Foot Landmark Flat Park Bench

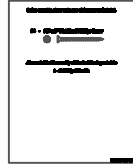
For Fastener Pack
(FP-LB6F-CU-02)



Congratulations !!

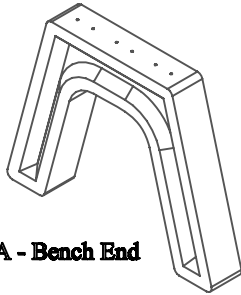
You have just purchased the finest recycled plastic
park bench available. Enjoy !!!

Before assembly, please make sure all components are included.

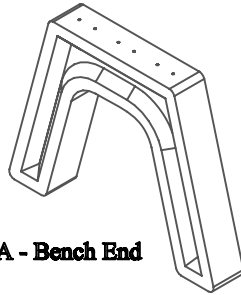


(1) - One Fastener Pack
FP-LB6F-CU-02

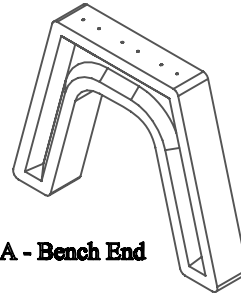
FP - Fastener Pack



A - Bench End

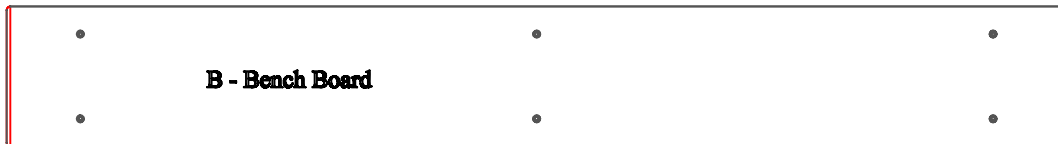


A - Bench End



A - Bench End

(3) - Three Bench Ends
PS-SFBE-M-02



B - Bench Board

(1) - One Bench Board
BP-LB6B-A-01

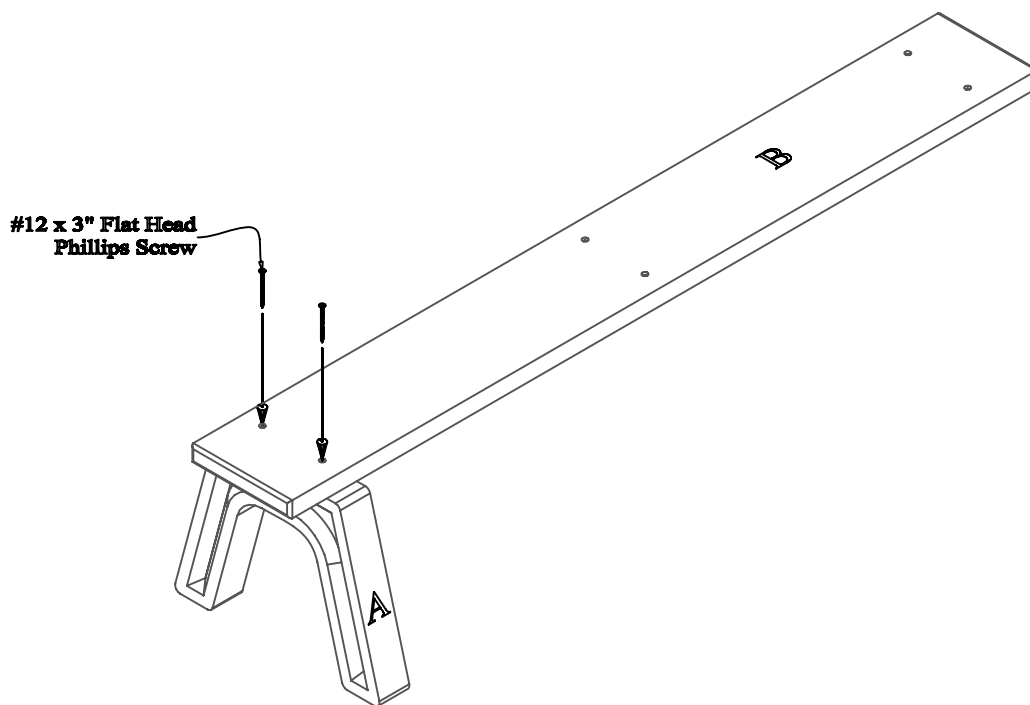
Before assembly, please make sure all fasteners are included.

6 - #12 x 3" Flat Head Phillips Screw



Also needed for this assembly will be the following materials:

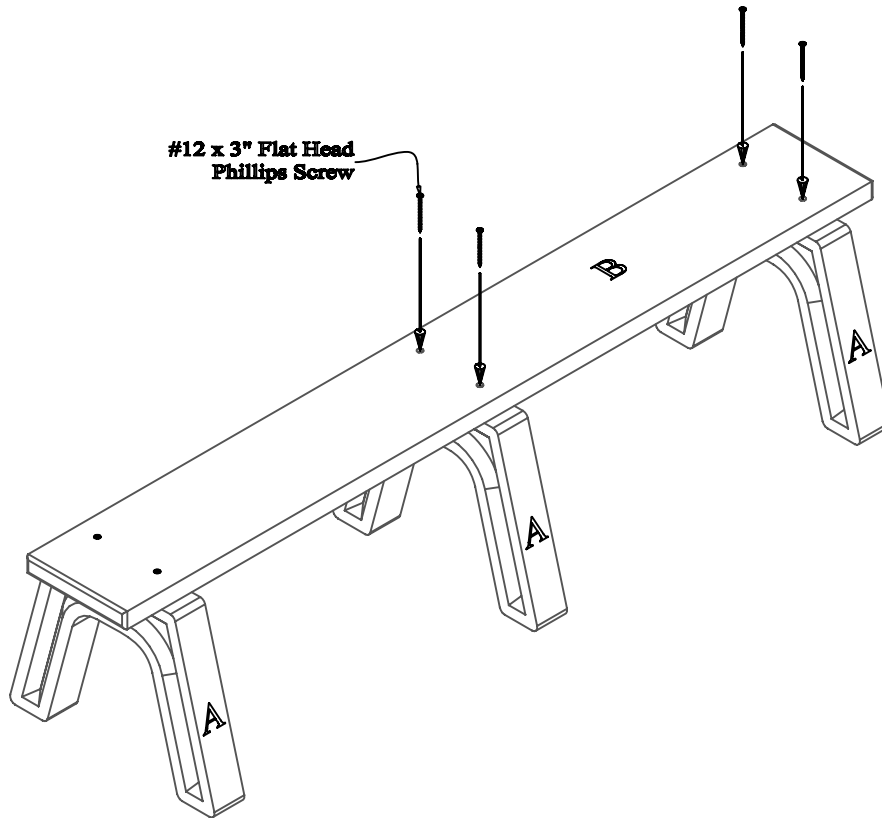
1 - #3 Phillips Drive Bit



Step #1:

Place (1) One Bench End in position as shown above being sure to align the pre-drilled holes to the pilot holes in the bench board. After the holes are properly aligned, fasten with (1) One #12 x 3" Flat Head Phillips Screw per hole to secure.

Note: Do not tighten screw completely. This will be done in a later step.



Step #2:

Repeat step #1 for the remaining (2) Two Bench Ends in the positions shown above being sure to align the pilot holes to the pre-drilled holes in the bench boards. After the holes are properly aligned, fasten with (1) One #12 x 3" Flat Head Phillips Screw per hole to secure.

Note: Be sure to tighten all screws completely after this step.