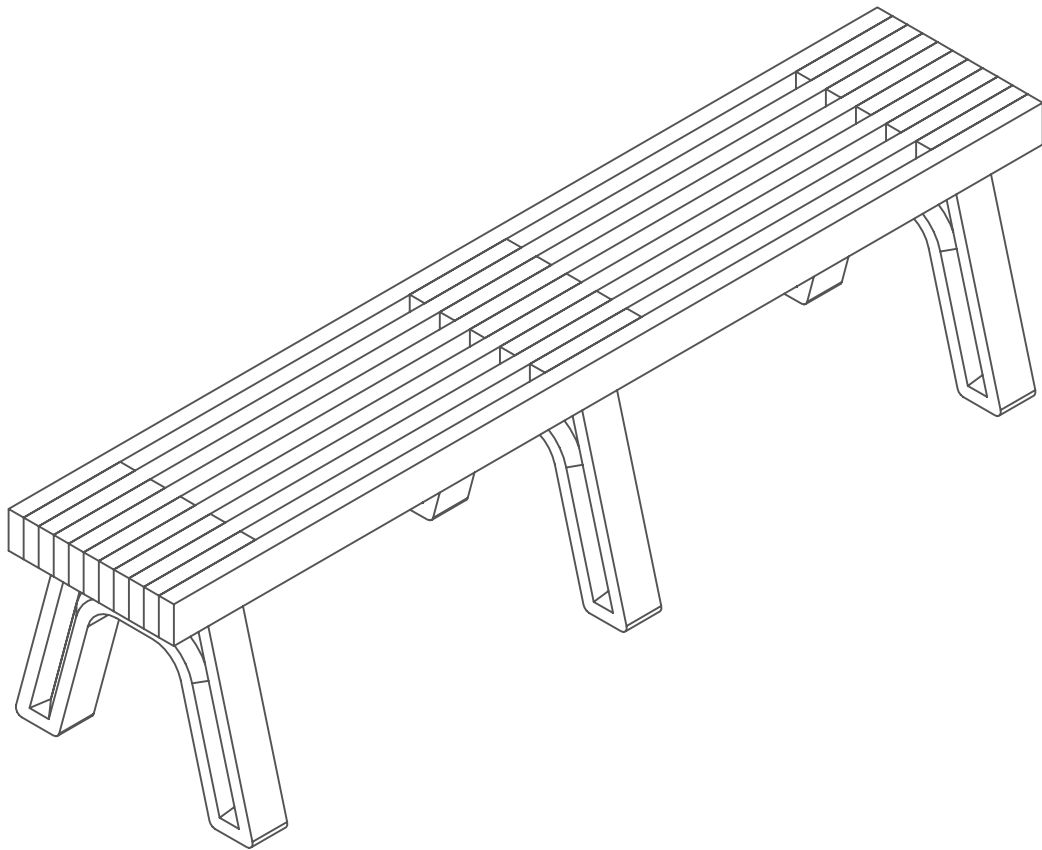


6 Foot Elite Flat Park Bench

For Fastener Pack
(FP-EB6F-CU-02)



Congratulations !!

You have just purchased the finest recycled plastic
park bench available. Enjoy !!!

Before assembly, please make sure all components are included.



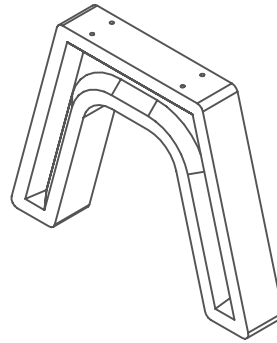
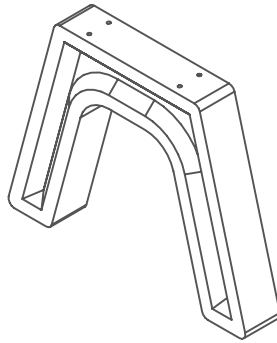
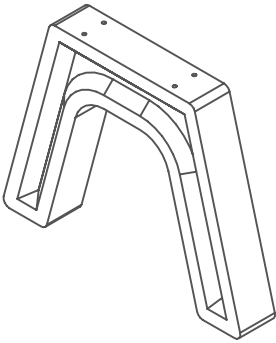
(1) - One Fastener Pack
FP-EB6F-CU-02

FP - Fastener Pack

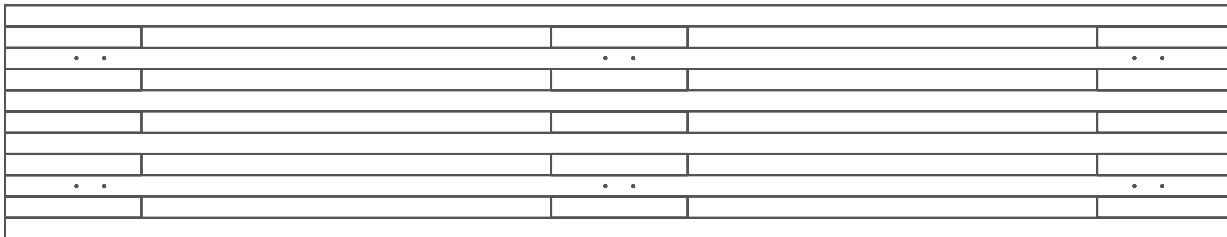
A - Bench End

A - Bench End

A - Bench End



(3) - Three Bench Ends
PS-SFBE-E-01



(1) - One Bench Board
BSA-EB6F-A-02

B - Bench Board

Before assembly, please make sure all fasteners are included.

12 - #12 x 2 1/2" Flat Head Phillips Screw



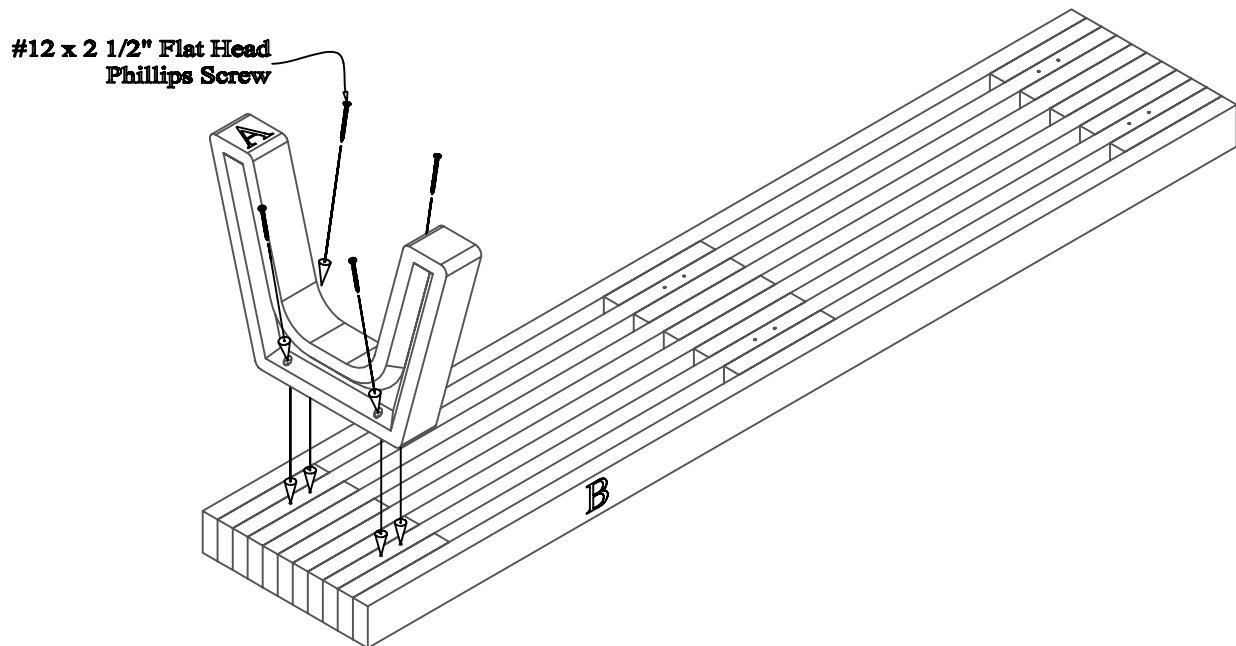
Also needed for this assembly will be the following materials:

1 - #3 Phillips Drive Bit

In order to make assembly a little easier, dip threads of fasteners in some liquid soap.

Step #1:

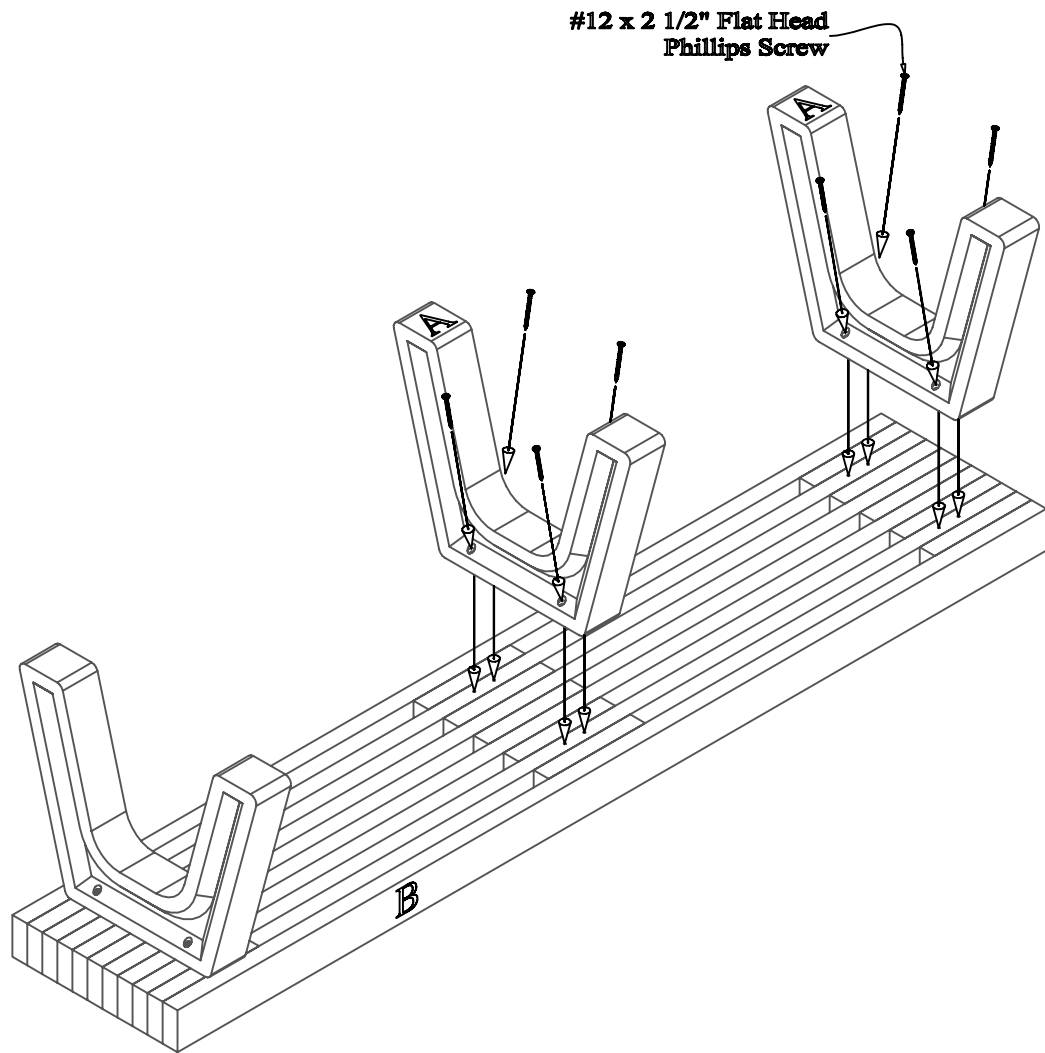
On a level surface place the Bench Board on the cardboard that your bench was shipped in with the pilot holes facing up.



Step #2:

Position (1) One Bench End being sure to align the pre-drilled holes to the pilot holes in the bench seat. After the holes are properly aligned, fasten with (1) One #12 x 2 1/2" Flat Head Phillips Screw per hole to secure.

Note: Do not tighten screws completely. This will be done in a later step



Step #3:

Align the remaining Bench Ends with the remaining pilot holes in the bench seat. After the holes are properly aligned, fasten with (1) One #12 x 2 1/2" Flat Head Phillips Screw per hole to secure.

Note: Be sure to tighten all screws completely after this step.

DEAR VALUED CUSTOMER,

THANK YOU FOR PURCHASING THIS PRODUCT. THIS PRODUCT IS MANUFACTURED USING RECYCLED MATERIALS AND MAY HAVE SLIGHT COLOR VARIATIONS, OCCASIONAL SPECKS OF COLOR OR IRREGULAR SURFACE PATTERNS. THESE ARE NORMAL CONDITIONS OF RECYCLED PLASTICS AND MAKE EACH PIECE OF FURNITURE UNIQUE. THESE CHARACTERISTICS DO NOT AFFECT THE STRENGTH, QUALITY OR PERFORMANCE OF THE PRODUCT.

THANK YOU AGAIN FOR PURCHASING THIS PRODUCT AND HELPING OUR ENVIRONMENT.