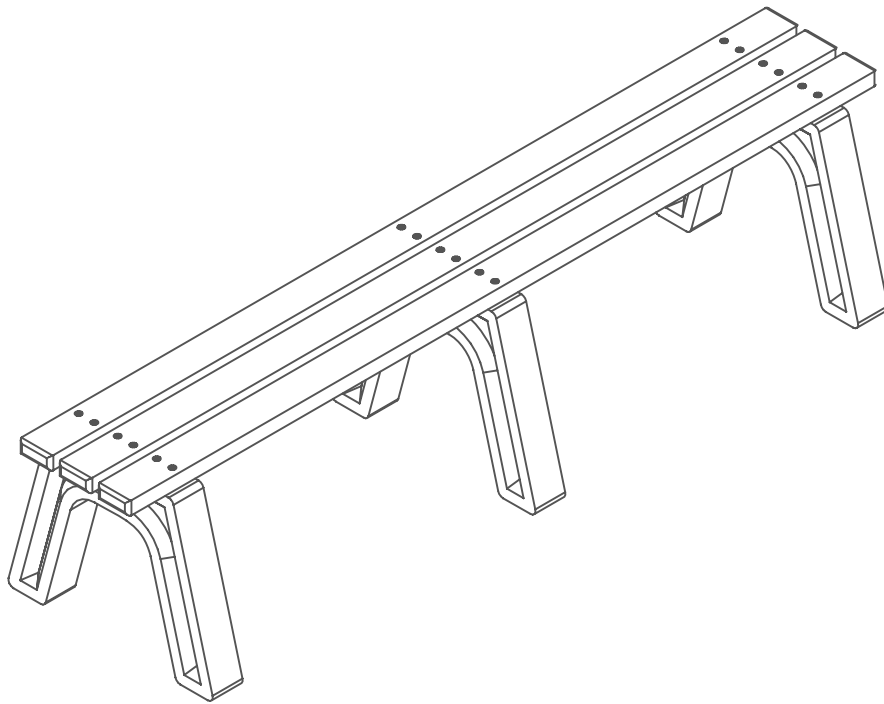


6 Foot Econo-mizer Flat Park Bench

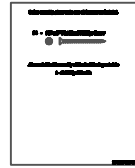
For Fastener Pack
(FP-EM6F-CU-02)



Congratulations !!

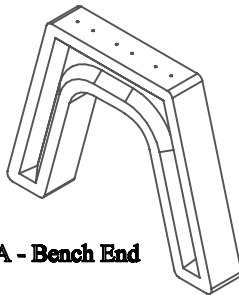
You have just purchased the finest recycled plastic
park bench available. Enjoy !!!

Before assembly, please make sure all components are included.

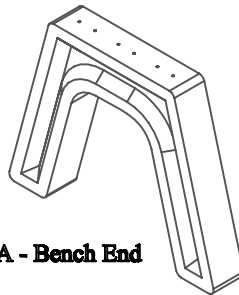


(1) - One Fastener Pack
FP-EM6F-CU-02

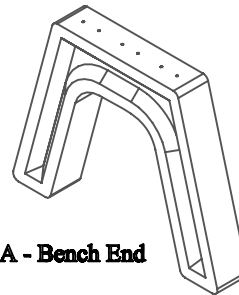
FP - Fastener Pack



A - Bench End

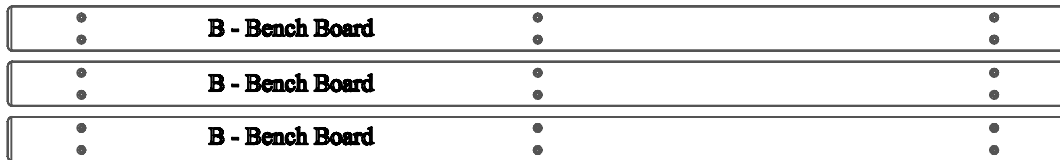


A - Bench End



A - Bench End

(3) - Three Bench Ends
PS-SFBE-M-02



(3) - Three Bench Boards
BP-EM6B-A-02

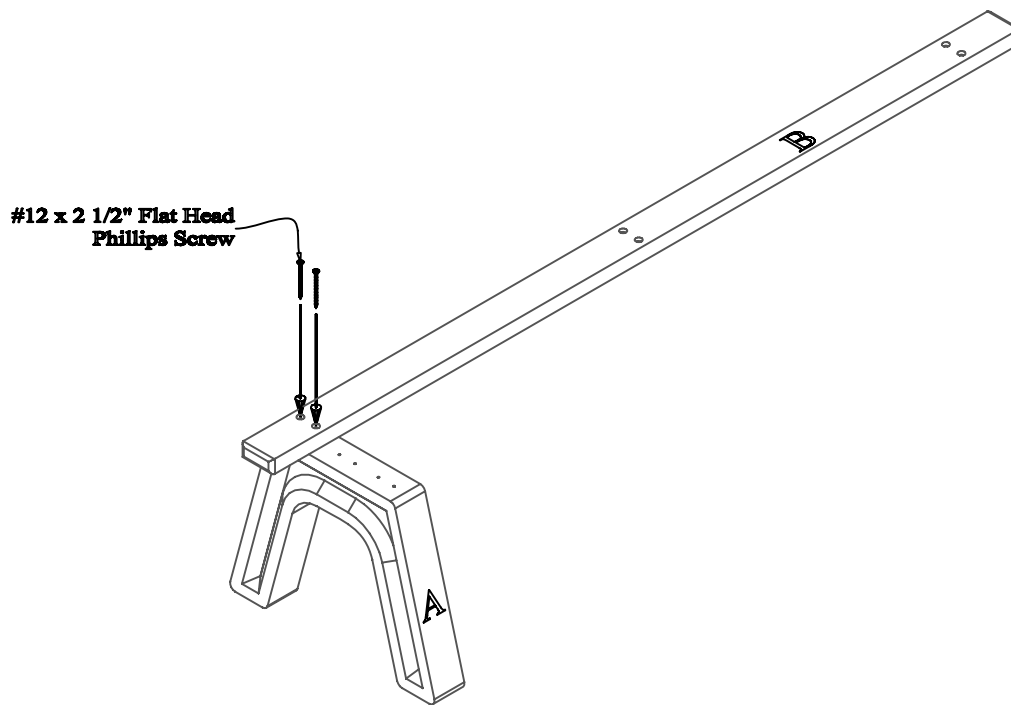
Before assembly, please make sure all fasteners are included.

18 - #12 x 2 1/2" Flat Head Phillips Screw



Also needed for this assembly will be the following materials:

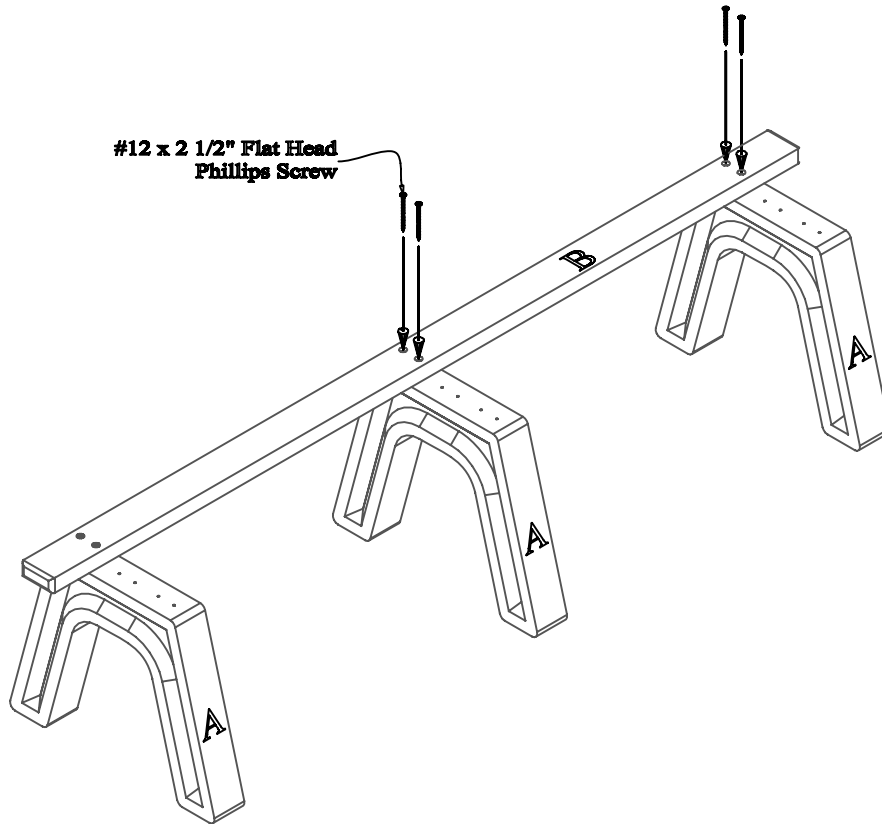
1 - #3 Phillips Drive Bit



Step #1:

Place (1) One Bench End in position as shown above being sure to align the pre-drilled holes to the pilot holes in the bench boards. After the holes are properly aligned, fasten with (1) One #12 x 2 1/2" Flat Head Phillips Screw per hole to secure.

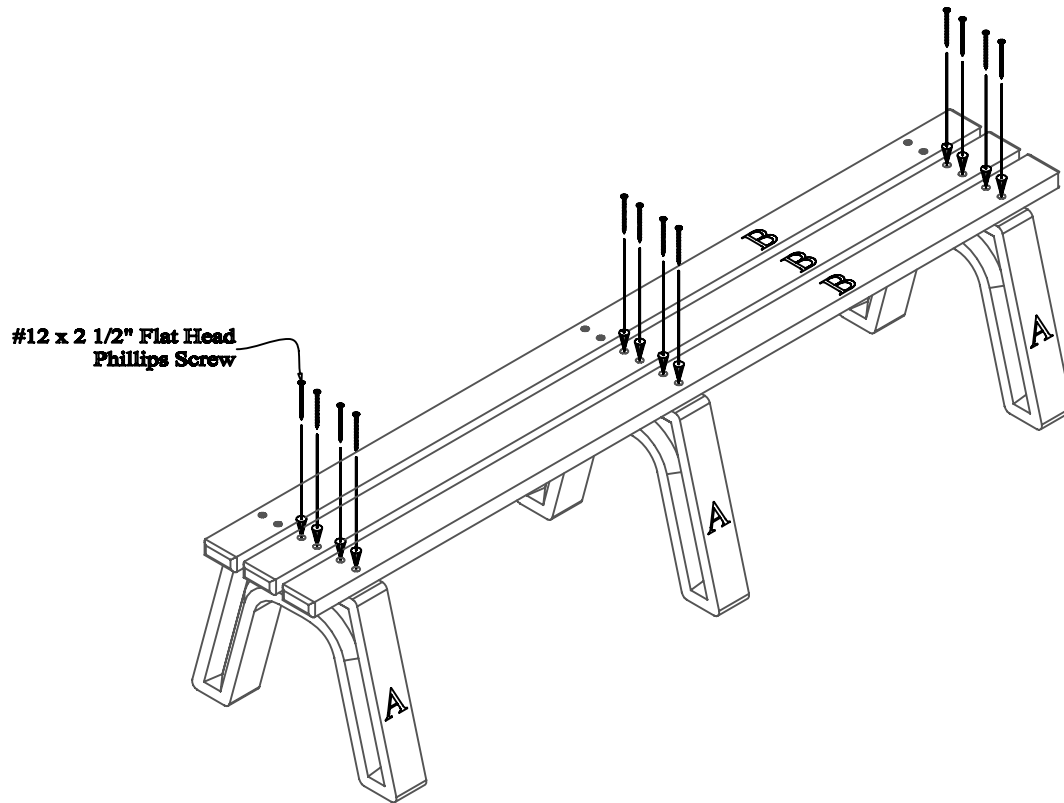
Note: Do not tighten screw completely. This will be done in a later step.



Step #2:

Repeat step #1 for the remaining (2) Two Bench Ends in the positions shown above being sure to align the pilot holes to the pre-drilled holes in the bench boards. After the holes are properly aligned, fasten with (1) One #12 x 2 1/2" Flat Head Phillips Screw per hole to secure.

Note: Do not tighten screw completely. This will be done in a later step.



Step #3:

Repeat steps #1 and #2 to fasten the remaining (2) Two Bench Boards in position as shown above. Be sure to align the pre-drilled holes to the pilot holes in the bench ends. After the holes are properly aligned, fasten with (1) One #12 x 2 1/2" Flat Head Phillips Screw per hole to secure.

Note: Be sure to tighten all screw completely after this step.